

**Typical lay-outs**

Plank type 1	Plank type 2
Plank type 3	Plank type 4

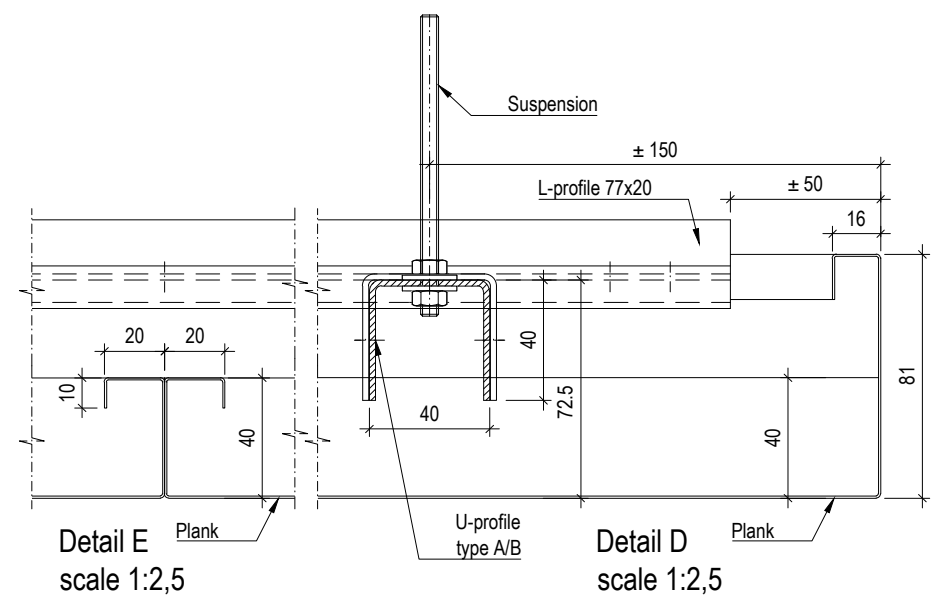
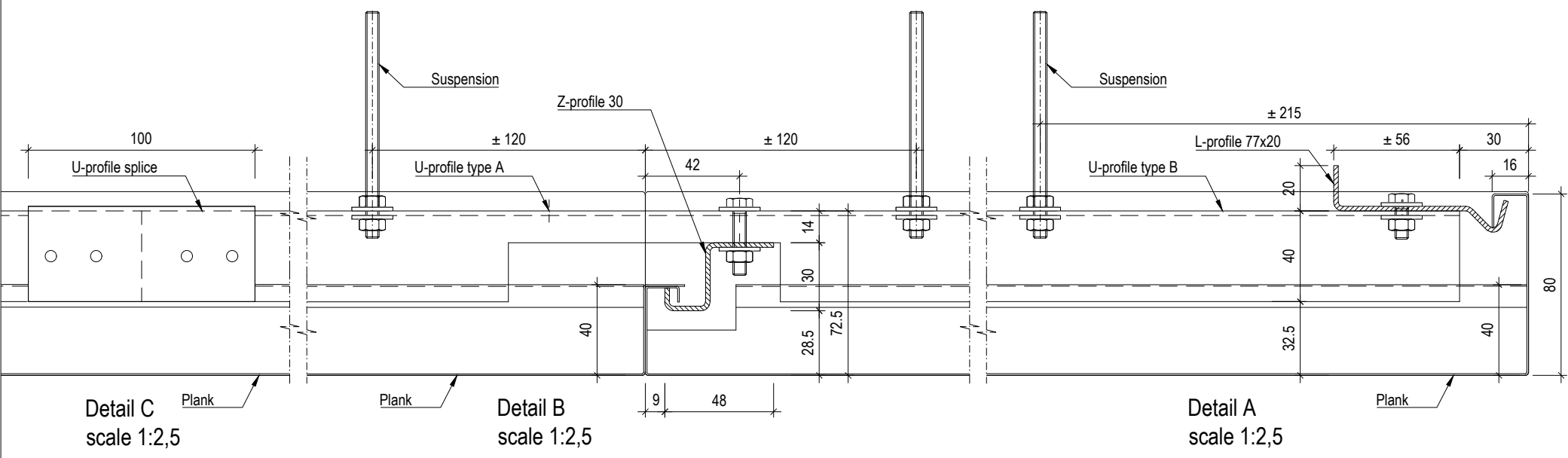
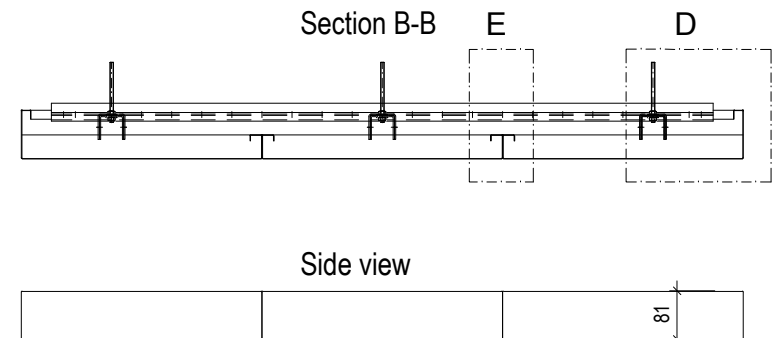
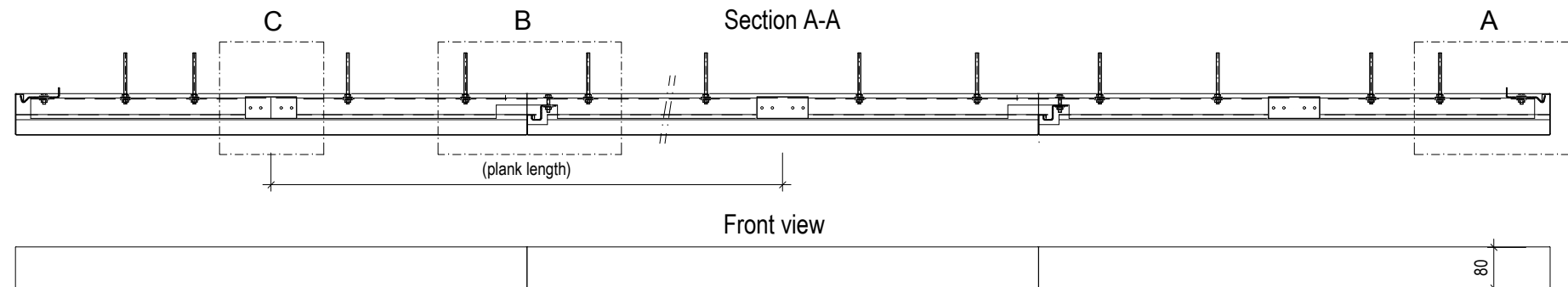
Plank type 1	Plank type 2
Plank type 5	Plank type 6
Plank type 5	Plank type 6
Plank type 3	Plank type 4

Plank type 1	Plank type 7	Plank type 7	Plank type 2
Plank type 3	Plank type 8	Plank type 8	Plank type 4

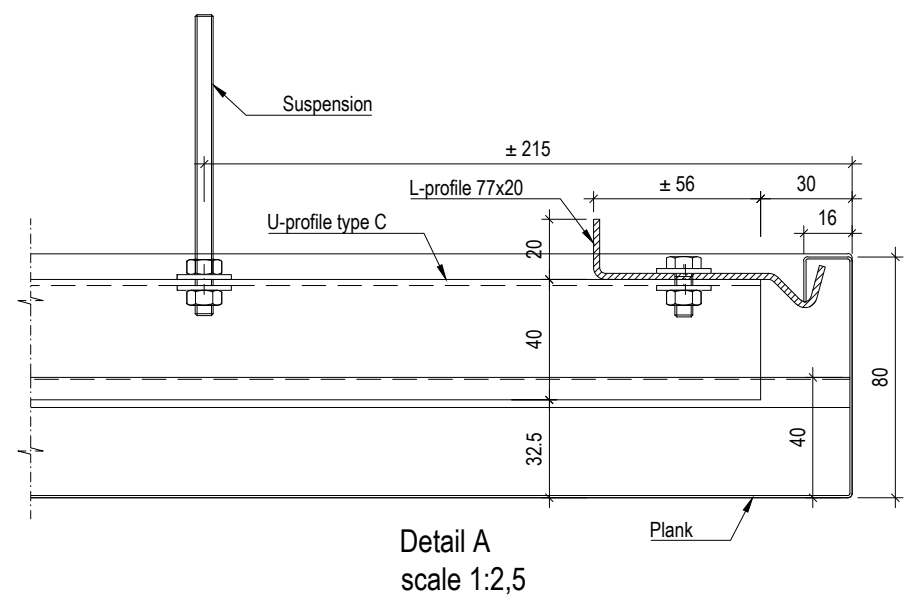
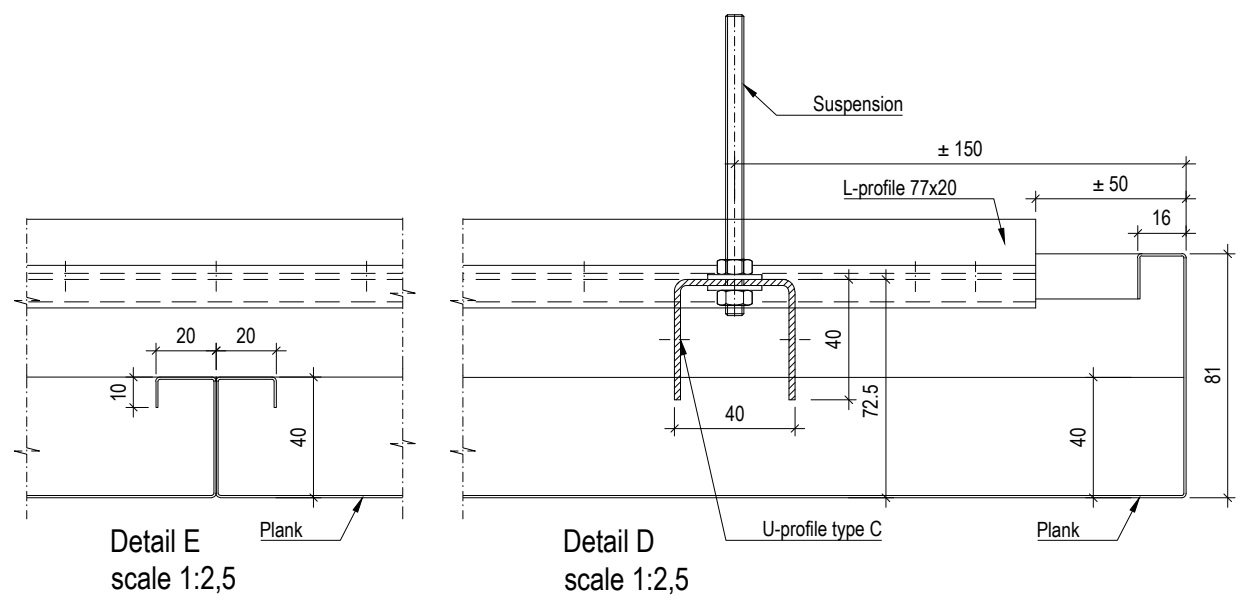
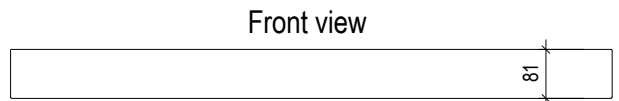
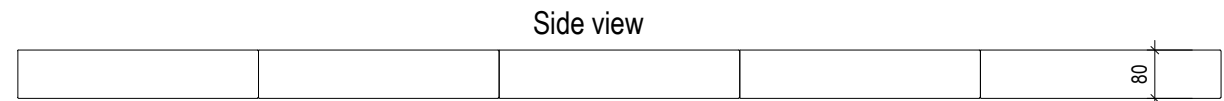
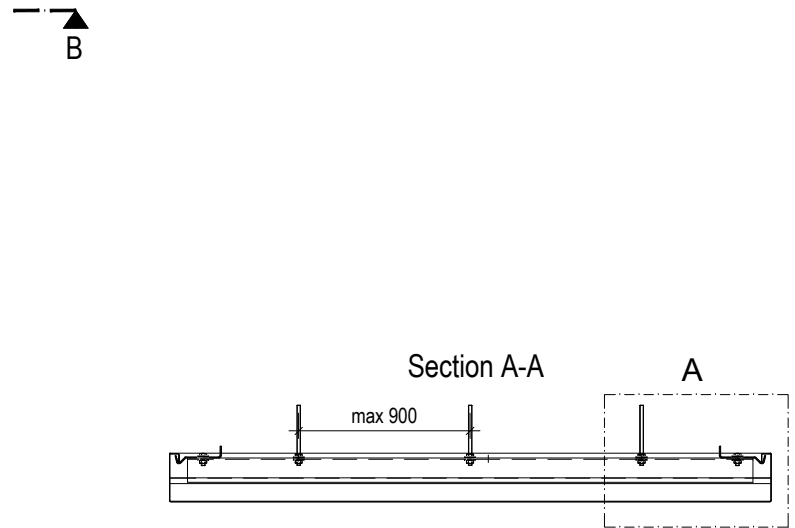
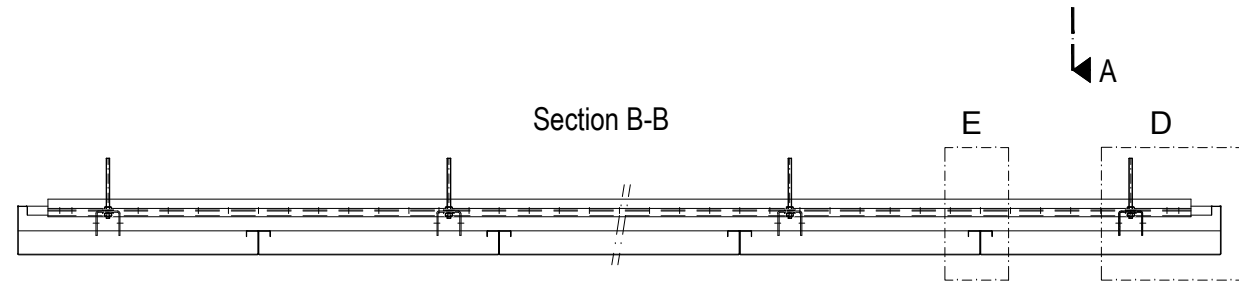
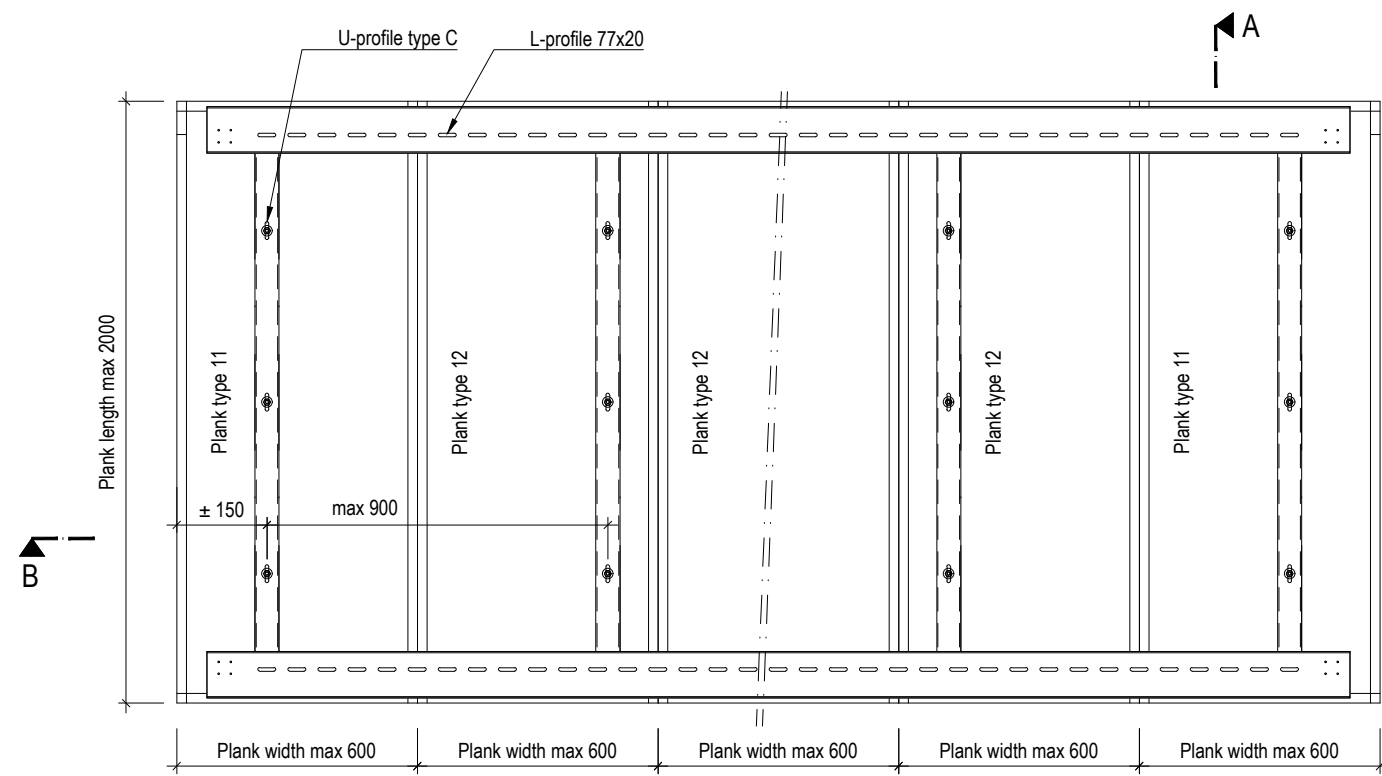
Plank type 1	Plank type 7	Plank type 7	Plank type 2
Plank type 5	Plank type 9	Plank type 9	Plank type 6
Plank type 5	Plank type 9	Plank type 9	Plank type 6
Plank type 3	Plank type 8	Plank type 8	Plank type 4



\* -



Drwg.No. C-i-Me-PI-Beta-hook-on-Isola-2D_Application A	Date: 1.11.2019	Scale: 1:12,5
	Size: A3	Rev: -
Subject: Ceiling Interior Metal Planks Beta hook-on Isola		

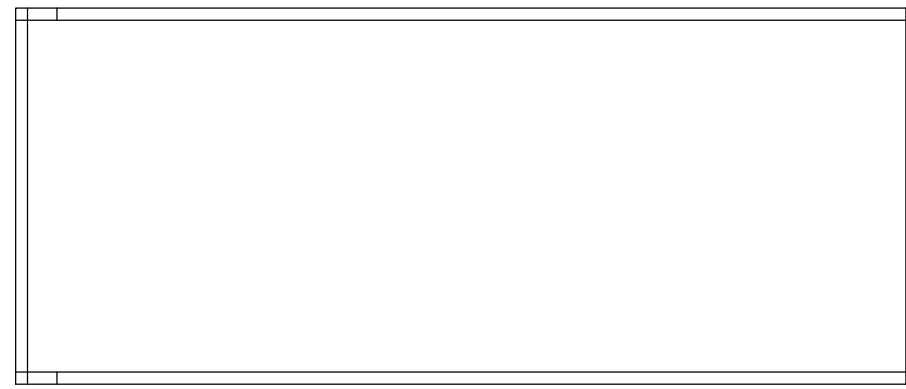


\* -

**HunterDouglas**   
Architectural

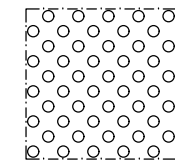
Drwg.No. C-i-Me-PI-Beta-hook-on -Isola-2D_Application B	Date: 1.11.2019	Scale: 1:12,5
	Size: A3	Rev: -
Subject: Ceiling Interior Metal Planks Beta hook-on Isola		

**Plank Beta hook-on Isola AI / Fe**

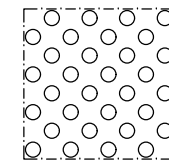


Top view

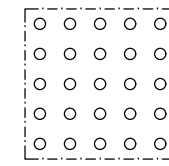
**PERFORATION PATTERNS scale 1:1**



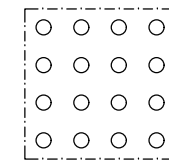
D1522  
 $\phi$  1,5 mm  
 $\updownarrow$  4 mm  $\leftrightarrow$  4 mm  
 Openness 22 %



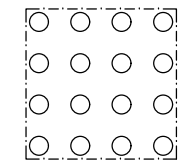
D2022  
 $\phi$  2 mm  
 $\updownarrow$  5 mm  $\leftrightarrow$  5 mm  
 Openness 22 %



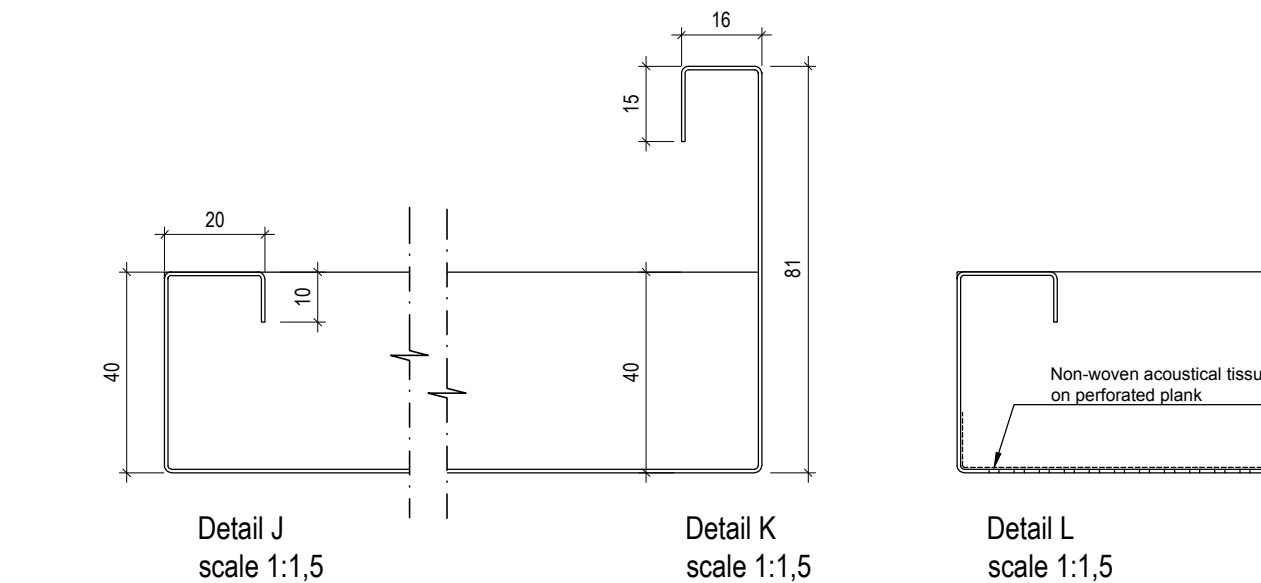
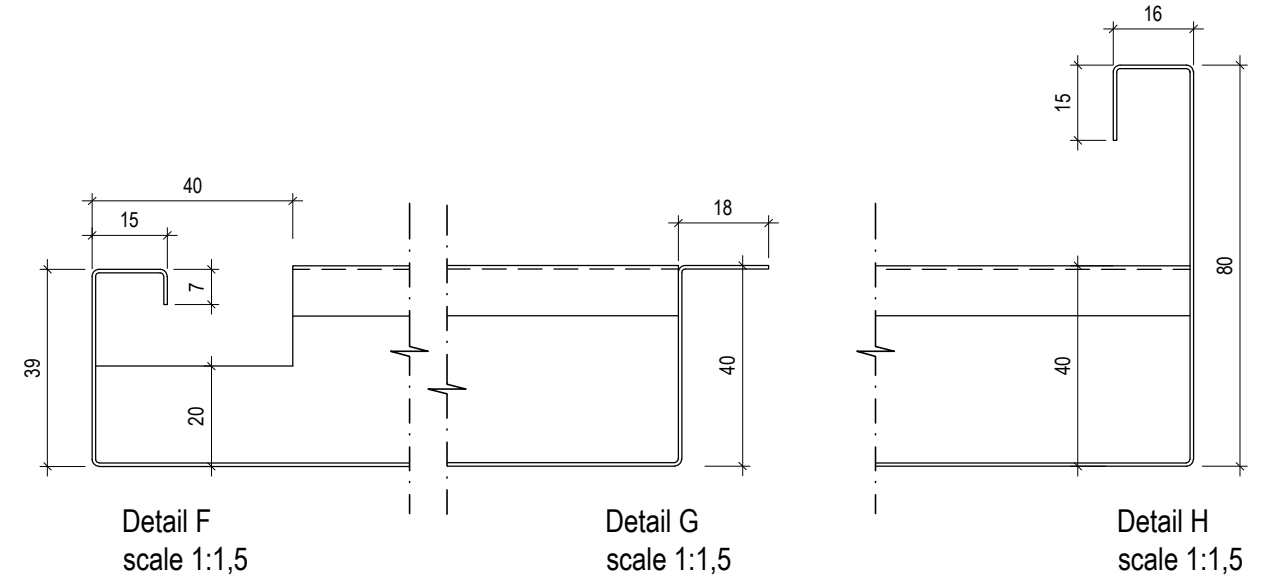
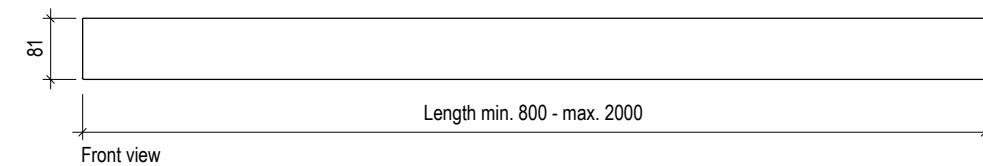
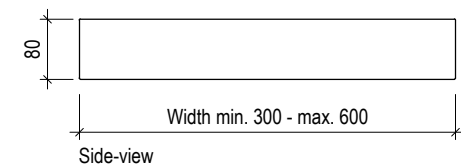
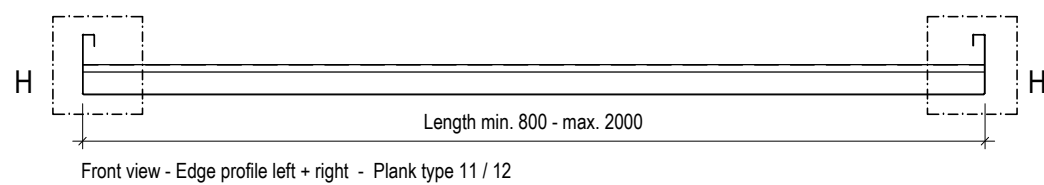
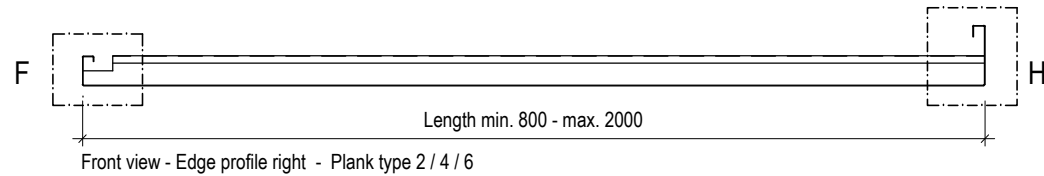
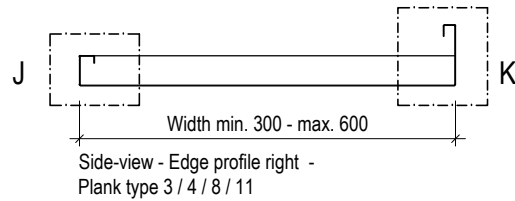
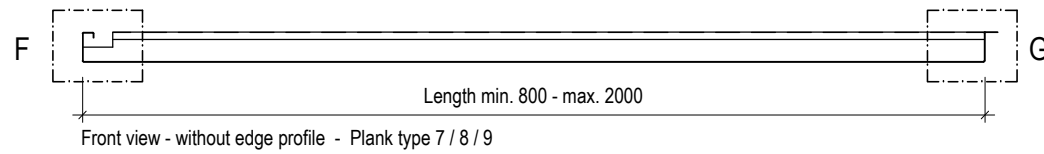
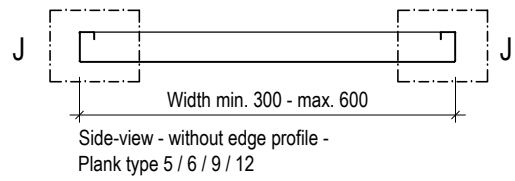
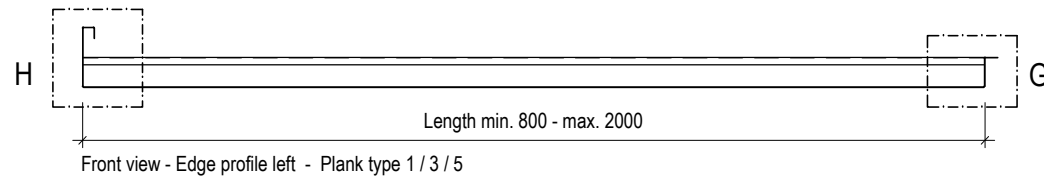
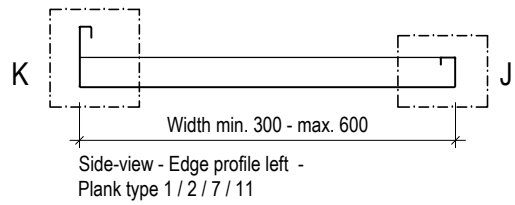
D1511  
 $\phi$  1,5 mm  
 $\updownarrow$  4 mm  $\leftrightarrow$  4 mm  
 Openness 11 %



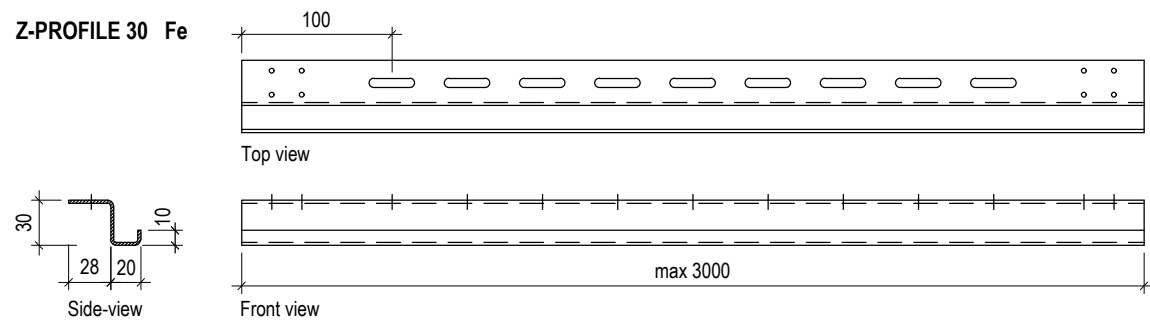
D2011  
 $\phi$  2 mm  
 $\updownarrow$  5 mm  $\leftrightarrow$  5 mm  
 Openness 11 %



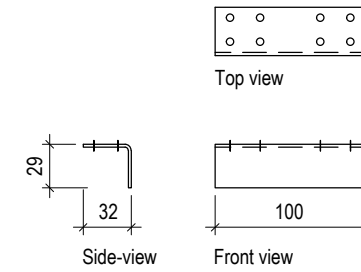
D2516  
 $\phi$  2,5 mm  
 $\updownarrow$  5,5 mm  $\leftrightarrow$  5,5 mm  
 Openness 16 %



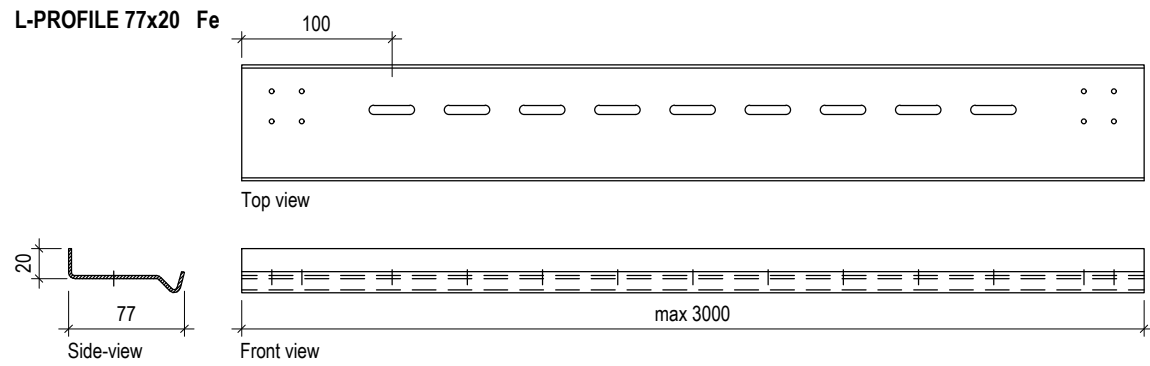
**Z-PROFILE 30 Fe**



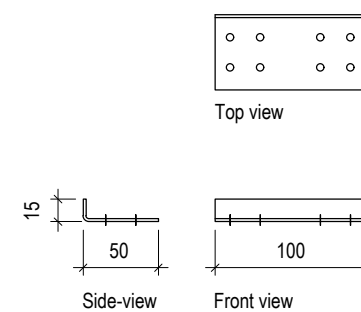
**SPLICE Z-PROFILE 30**



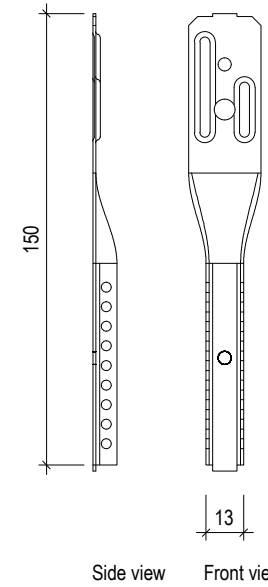
**L-PROFILE 77x20 Fe**



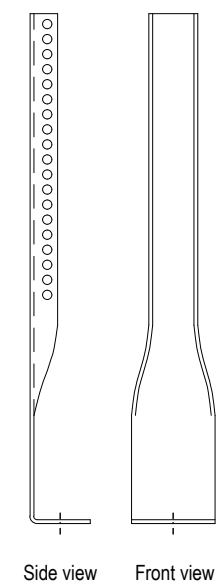
**SPLICE L-PROFILE 77X20**



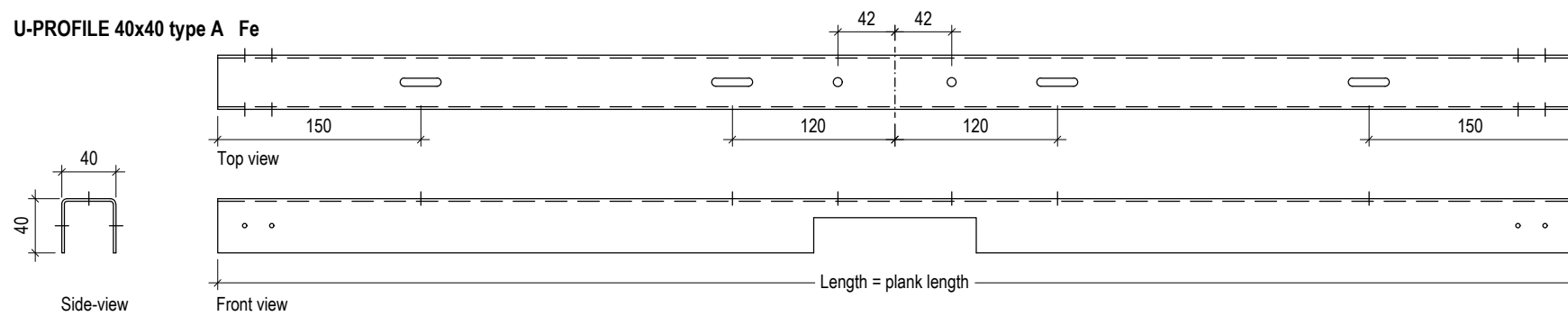
**UPPER NONIUS HANGER**  
Length: 150, 300, 500, 1000, 1500, 2000mm



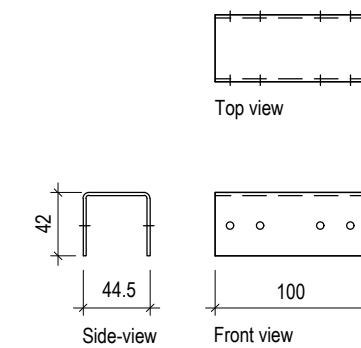
**LOWER NONIUS HANGER**  
(non Hunter Douglas)



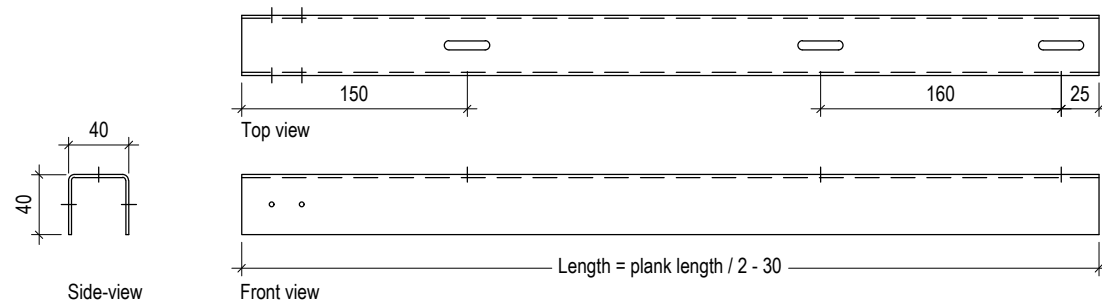
**U-PROFILE 40x40 type A Fe**



**SPLICE U-PROFILE 40X40**



**U-PROFILE 40x40 type B Fe**



**U-PROFILE 40x40 type C Fe**

